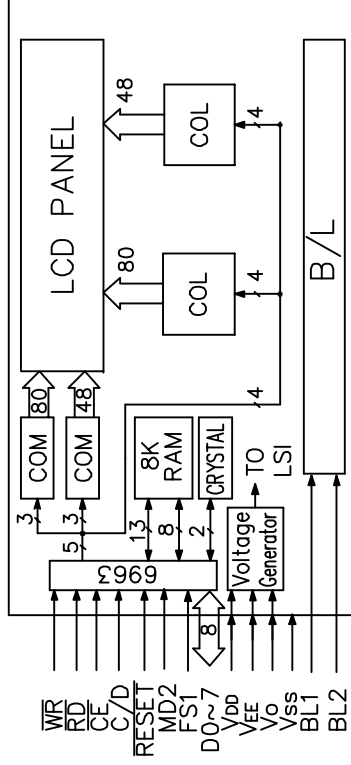
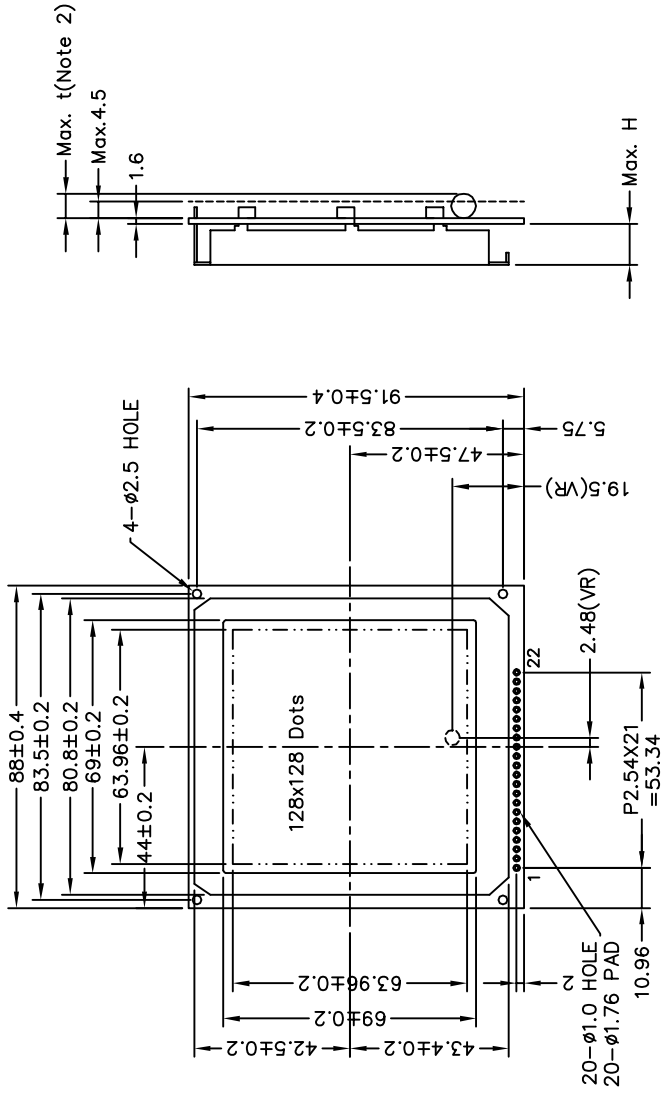
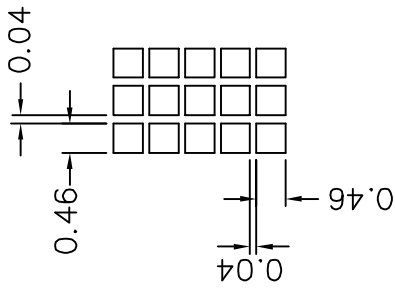


LGF12815-I63C-C09



Module	EL	LED-SMT
H	5.7	11.2

UNIT:mm

Note 1	Note 2
NV (Negative Voltage Only)	t=8.5
TC (Temperature Compensation Only)	Ditto
NT (NV+TC)	Ditto

LGF12815-I63C-C09	INTERFACE	PIN	1	2	3	4	5	6	7	8	9	10	11	12	13	14	15	16	17	18	19	20	21	22		
(LED-SMT)	—	*(NV)	***(TC)	***(NT)	VSS	VDD	Vo	C/D	RD	WR	DB0	DB1	DB2	DB3	DB4	DB5	DB6	DB7	CE	RST	VEE	MD2	FS1	N/A	LED(+)	LED(-)

*Negative Voltage Built In Pin 3; Pin 17(VEE) To External Contrast VR.
 **Temperature Compensation Built In Pin 3 N/C; Pin 17(VEE) To External Voltage.
 ***Negative Voltage & Temperature Compensation Built In Both Pin 3 & Pin 17 N/C.