

10.1” Control Surface, Ethernet Connectivity Specification

Project name	TS7-10.1	
Document type	Quick spec	
Customer	Standard	
Document revision	A	Date: 14/10/2020

Draft

Internal Approvals		
Product Mgr	Doc. Control	Electr. Eng.
Bazile Peter	Filip Kaczorowski	Filip Kaczorowski
Date: 14/10/2020	Date: 14/10/2020	Date: 14/10/2020

Revision Record

Rev.	Date	Page	Chapt.	Comment	ECR no.
A	14/10/2020	--	--	Initial Release	



Table of Contents

1.0 GENERAL DESCRIPTIONS	4
1.1 Introduction	4
2.0 TECHNICAL SPECIFICATIONS	5
2.1 Product features:	5
2.2 Hardware Details	6
2.3 Mechanical drawing	7
2.4 Environmental Specification	9
3.0 ORDERING AND PRODUCT	9
3.1 Ordering part number	9
3.2 Alternative items	Error! Bookmark not defined.

Preliminary

1.0 General Descriptions

1.1 Introduction

Aiming to suit Broadcasting application, TS7-10.1 serves as a HMI terminal equipping with multiple functions and supports. Firstly, it provides a user-friendly, highly integrated interacting GUI which allows the users to modify the colour coding in order to achieve more intuitive identification. Also, through RJ45 ethernet connection, all information shown on tally interface like timer, clock, and recorder will be synchronized basing on NTP/LTC protocol. Moreover, with all those connected devices, DS-101XP-01 are capable of controlling light, camera, microphone, and all source of images effortlessly in simple steps without a series of bulky transference routers.

In terms of specification, TS7-10.1 is adopting AMD G-Series technology and system-on-Chip (SoC) design is targeting for high performance at low power. Its cutting-edge APU can also support displaying 4K@30Hz through DP interface. With the full 4GB DDR4-2400 as default and M.2 32GB storage, it can cope with the high requirement of data provided transferring demanded by broadcasting customers. Basing on the certified design and solid testing, two OS, Windows 10 or Linux, can be offered in order to apply different system platforms. Multiple USB ports also further expand the connectivity to other devices, while the extra two USB 3.0 are currently one of the most-speedy interface and protocol. In some cases, if extra display output is required, DP port can also be the alternative solution.

The TS-10.1 is one of a family of control surfaces. It can display information and alerts about your broadcast systems and provides ergonomic human-machine interface to any network connected equipment. This multi-touch interactive control unit is high contrast, high brightness, and high resolution IPS TFT with 1200 x 1920 resolution Display & Control unit.

Key Features:

- Stand-alone USB setup
- Assignable network configuration
- Gigabit Ethernet
- Very low power consumption
- Compact, rugged construction
- High resolution and high brightness

2.0 TECHNICAL SPECIFICATIONS

2.1 Product features:

Item	Contents
Display Type	10.1" Portrait WUXGA
Main interfaces	4x USB (2 x 3.1 + 2 x 2.0)
	1x Gigabit LAN RJ-45
	1 x 3.5mm stereo Jack, line out
Operating System	Windows 10 or Linux
Processor (APU)	AMD APU SOC (FP4) GX-2121JJ
Screen Size	10.1" Diagonal
Display Format	1920 x 1200 pixels
No. of Colour	16.7M (True 8-bit)
Overall Dimensions	255.22 x 174.00 x 40.11 mm (w/o stand)
Active Area	135.36 (W) x 216.58 (H) mm
Viewing Angle	L/R: 178° (Typ.) U/D: 178° (Typ.)
Contrast Ratio	1000: 1 (Typ.)
Brightness	450 cd/m ² (Typ.)
Plug & Play	VESA 75 x 75 mm
Touch Technology	PCT
Bonding Type	Optical Bonding
ROHS	Compliant to RoHS 2.0

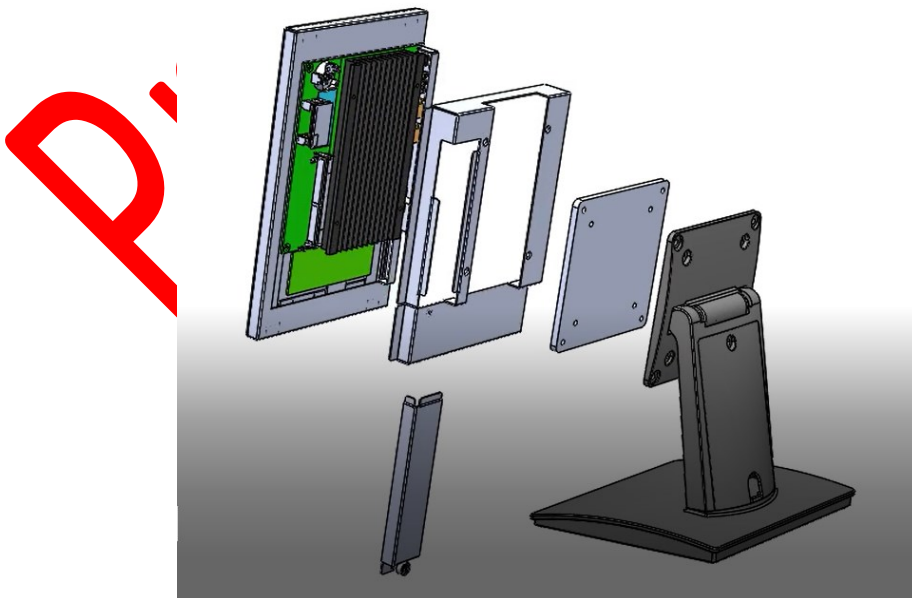
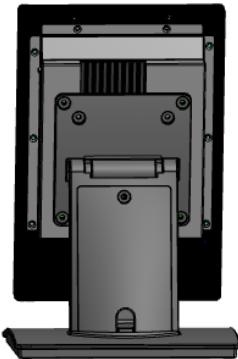
2.2 Hardware Details

Single Board computer	
Item	Contents
Processor (APU)	AMD Embedded G-Series SoC, GX-212JJ, low power APU
Memory	4GB DDR4-2400
Operating System	Windows 10 or Linux
Storage	1x M.2 2242 storage 32GB
Main interfaces	4x USB (2 x USB 3.1 2 x USB 2.0)
	1x RJ 45 Ethernet, RealTek RTL8111H-3C GbE LAN
	1x 3.5mm stereo Jack, line out
	1x RS232
Graphics processor (GPU)	AMD Radeon™ R1E, 1CU
Audio	Realtek ALC888S-VD2, support 2 Channel HD Audio Codec
Power Supply Voltage	1x DC-IN jack (12v 2.1mm)
Power	1x Power button
General Dimensions	255.22 x 172.00 x 40.11 mm (w/o stand)



Display	
Item	Contents
Screen Size	10.1"
Display Format	1920 x 1200 pixels
No. of Colour	16.7M (True24-bit)
Overall Dimensions	TBD
Active Area	135.36 (W) x 216.58 (H) mm
Viewing Angle	L/R: 178° (Typ.) U/D: 178° (Typ.)
Contrast Ratio	1000: 1 (Typ.)
Brightness	450 cd/m ² (Typ.)
Pixels per Inch (PPI)	225
Plug & Play	DDC2B (VESA Standard)
Response Time	20 msec (Rising + Falling)

2.3 Mechanical drawing





2.4 Environmental Specification

Item	Contents
Operating Temperature	0 ~ 40 ° C (in progress)
Storage Temperature	0 ~ 50 ° C (in progress)
Relative Humidity	95%@40 ° C, non-condensing (in progress)
Operating Vibration	1Grms/5~500Hz, IEC 60068-2-64 (in progress)
Non-Operating Shock	30Grms, 11ms, IEC 60068-2-27 (in progress)
ESD Protection	8kV contact/15kV air (in progress)
EMI	Pass FCC class A testing (in progress)
CE Standard	TBD (in progress) EN 55032, EN 55035
FCC Standard	TBD (in progress) Part 15 B, Class B

3.0 Ordering and product

3.1 Ordering part number

Size	Part Number	Description
16.3"	TS7-10.1	Control Surface, Ethernet Connectivity, ARM Platform